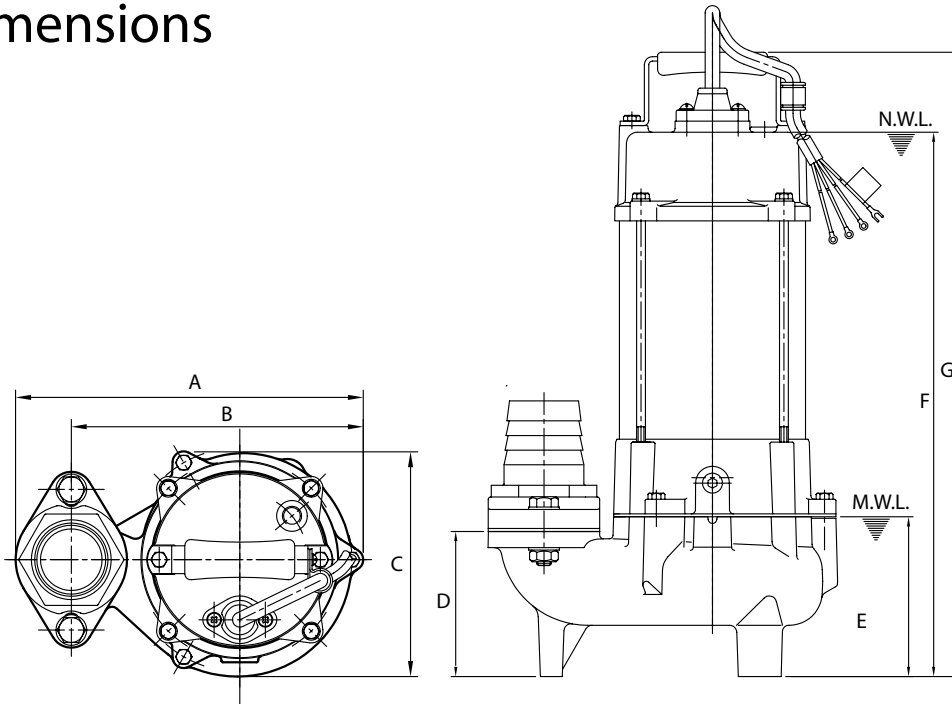


SSE-2V-XX-05; SBF-2V-XX-10

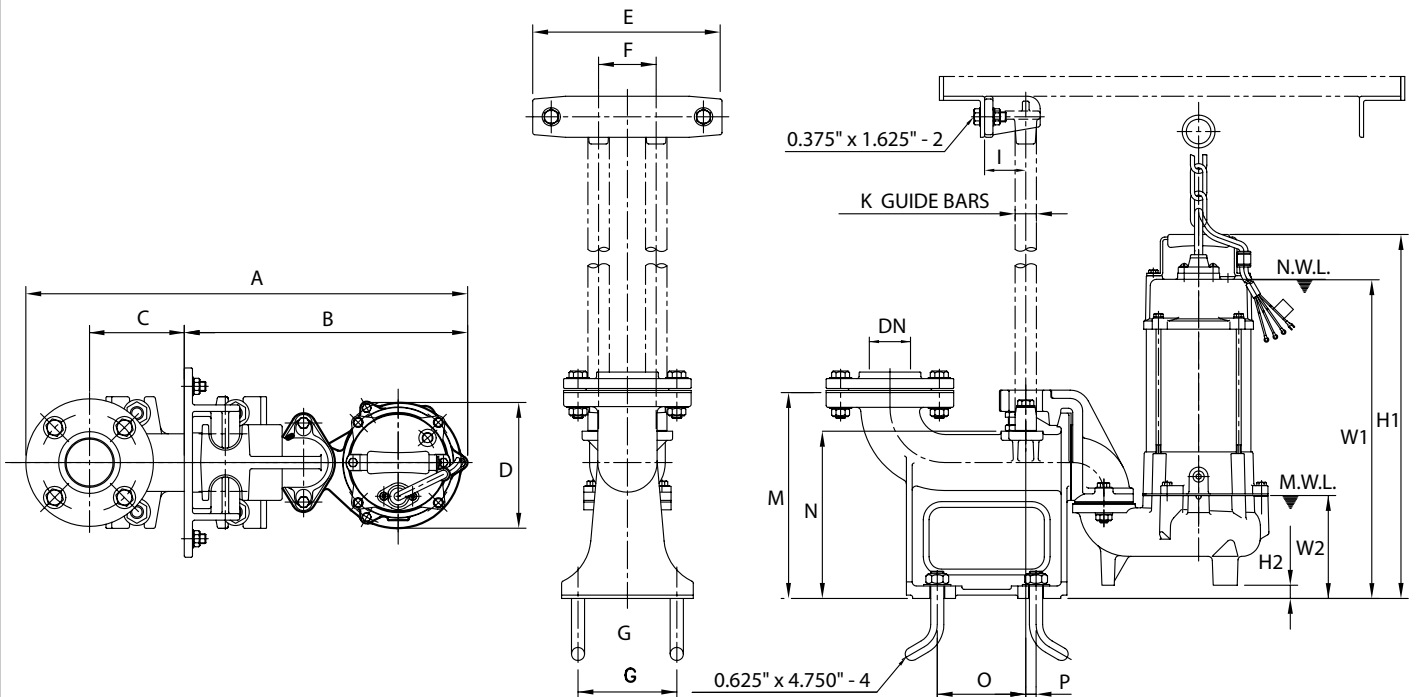
Pump Dimensions



TYPE	A	B	C	D	E	F	G
SSE-2V-XX-05	9.38	7.88	6.00	3.88	3.88	14.63	16.75
SSE-2V-XX-10	9.38	7.88	6.00	3.88	3.88	14.63	16.75

N.W.L.: Normal water level
M.W.L.: Minimum water level

Easy Lift GRS - Guide Rail System Dimensions



TYPE	DN	A	B	C	D	E	F	G	I	K	M	N	O	P	W1	W2	H1	H2
SSE-2V-XX-05	2	21.13	13.50	4.50	6.00	9.00	2.75	4.75	2.00	1.00	9.88	8.00	4.25	0.50	15.38	4.50	17.38	0.63
SSE-2V-XX-10	2	21.13	13.50	4.50	6.00	9.00	2.75	4.75	2.00	1.00	9.88	8.00	4.25	0.50	15.38	4.50	17.38	0.63

All dimensions are in inches unless otherwise noted.